

SERIES : HM 36

ORDERING INFORMATION/CAT NO. :

(*Models are corrosion resistant.)

Descripton	AC Model HM36	DC Model HM36	AC/DC Model HM36
HM36 Rectangular Bezel *	LA21F1	LD11F1	LC31F1
HM36 Rectangular 2 holes Bezel *	LA22F1	LD12F1	LC32F1
HM36 Round Bezel *	LA23F1	LD13F1	LC33F1
HM36 Round 3 holes Bezel *	LA24F1	LD14F1	LC34F1
HM36 Cup Mount Bezel	LA26F1	LD15F1	LC35F1
HM36 Stirrup Mount Bezel	LA27F1	LD16F1	LC36F1
HM36 Square Mount Bezel *	LA25F1	LD17F1	LC37F1

OPTIONAL

ACCESSORIES:

Descripton	Cat no
Screw and washer kit	LA9004
NEMA 4X (IP65) Gasket for Rectangular Bezel	LF1503
NEMA 4X (IP65) Gasket for Rectangular 2 holes Bezel	LF1504
NEMA 4X (IP65) Gasket Round bezel, cup mount Bezel	LF1502
NEMA 4X (IP65) Gasket Round 3 holes Bezel	LF1501

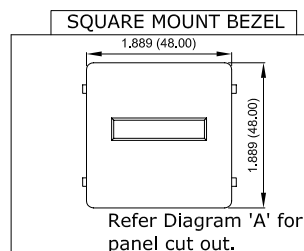
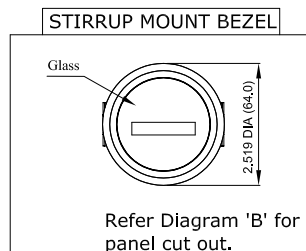
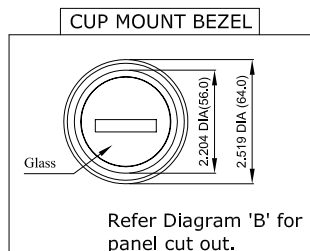
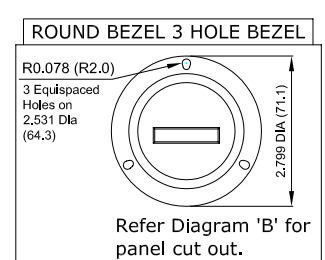
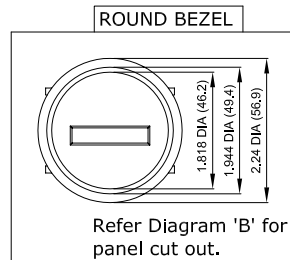
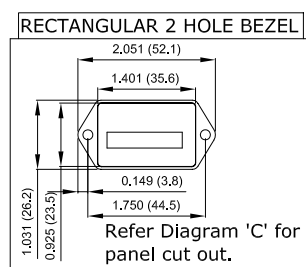
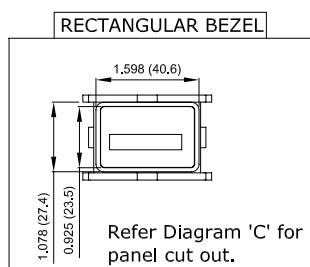
FEATURES :

- Robust design.
- Frequency independent for AC applications.
- High degree of accuracy.
- Wide supply voltage working models 4-30V AC/DC, 10-80 VDC, and 90-264 VAC.
- Wide temperature range from -40 to 85°C.
- Totally sealed from dust and moisture.

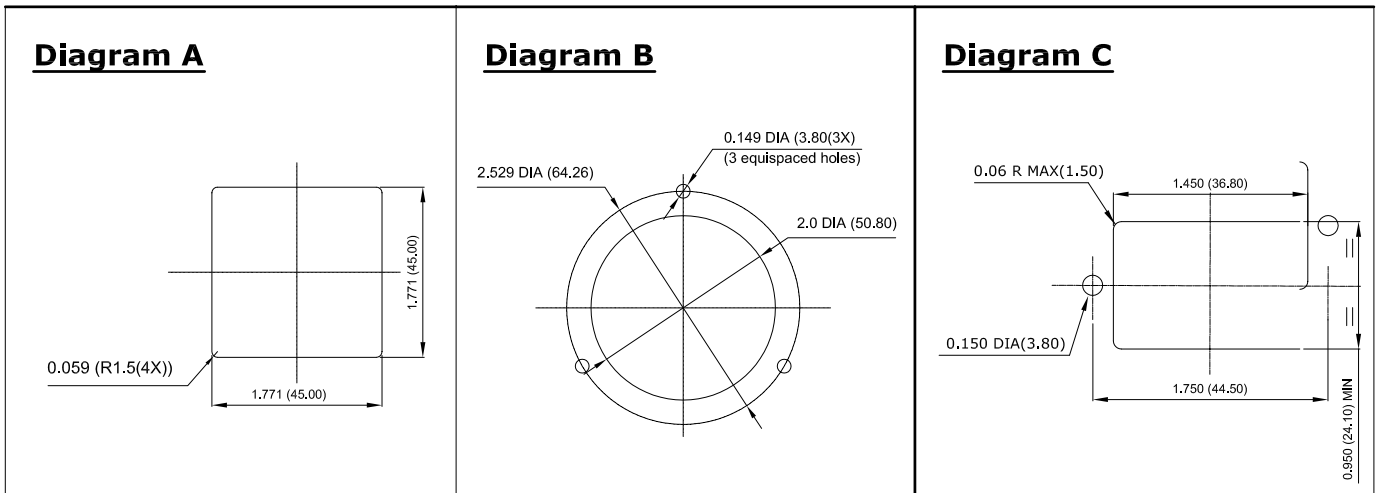
TECHNICAL SPECIFICATIONS :

Parameters	AC Model HM36	DC Model HM36	AC/DC Model HM36
Supply Voltage & Frequency	90-264VAC,50/60 Hz	10-80VDC	4-30V AC/DC, 50/60Hz
Over Voltage & reverse polarity protection	NA	Protected for 2 times battery voltage and/or reverse polarity	Not applicable to AC and 48V for DC Application
Power Consumption	0.5 VA (Max)	0.25VA (Max)	1VA (Max)
Register	6 Digit (3.6mm)		
Read Out	99999.9		
Least Count	0.1 Hrs		
Accuracy	±0.02% over entire range		
Vibration	10-80Hz with 20g max(SAE 1378)		
Shock	55g @ 9-13mSec(SAE 1378)		
Weight	47gms (approx)		
Operating Temperature	-40°C to 85°C		
Humidity (Not-condensive)	95%RH (SAE 1378)		
Mounting	Panel		
Termination	¼"(6.3) spade terminal		
Approvals	UL/cUL recognized CE & RoHS compliant SAE & NEMA 4X (Equivalent to IP65)		CE & RoHS compliant SAE & NEMA 4X (Equivalent to IP65)

View of Different Bezels :

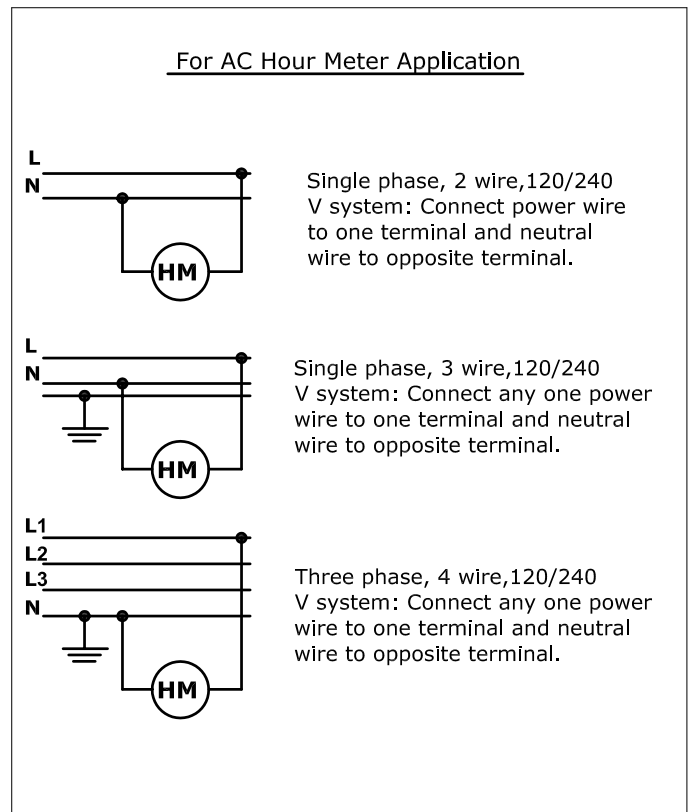
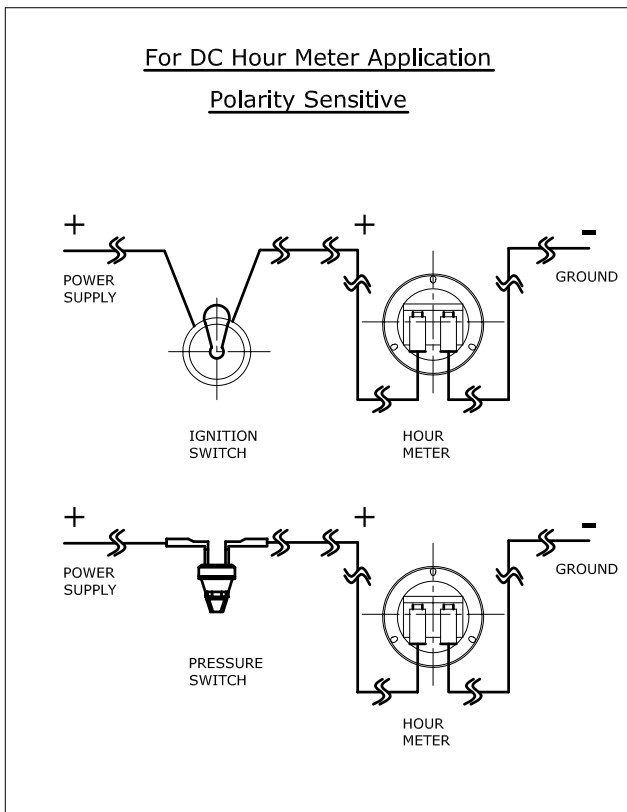


Panel cutout :



Max. Panel Thickness: 0.029 (0.76) to 0.401(10.20)
 Panel cutout Dimensions- Tolerance: ± 0.010 (0.30)
 All dimensions are in Inches, values in parenthesis are in mm

HM36 Series Wiring Diagram :



CAUTION :

- 1) Do not touch live terminals.
- 2) In case screw washer assembly is used, tighten terminals with flat head screwdriver with tip size 4.3 x 0.6 mm.